



13

Hard metal brazed tips, type 13. Design and dimensions

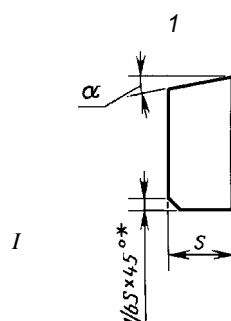
17163-90

25.100  
77.160  
19 6000

01.07.93

1.  
2.  
.1—2.

.1—2



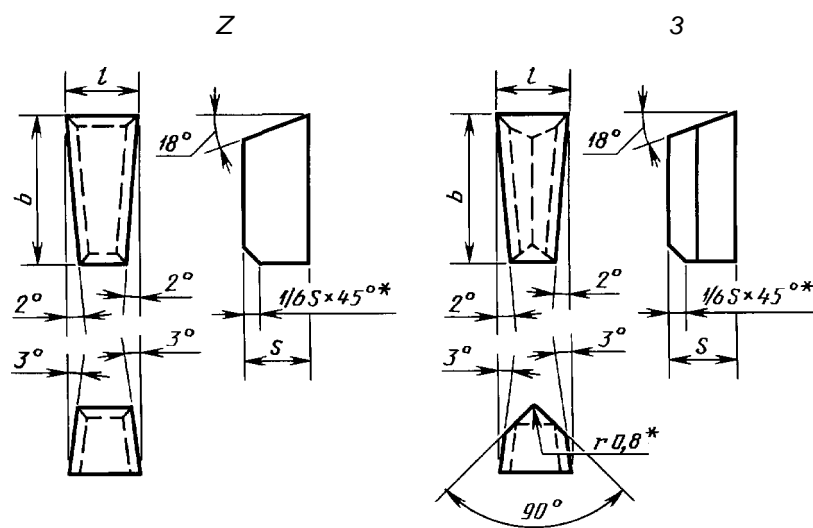
.1

\*

1

	<i>l</i>	<i>b</i>	<i>s</i>				
13011	3,5	8	3,0	—	2, 3, 5	4, 6, 8, 9, 10, 11	7
13031					2, 3	4, 5, 6, 8, 9, 10, 11	7
13051	4,5	10	4,0	14	2, 3, 4	5, 6, 8, 9, 10, 11	7
13071				18	2, 3, 4, 5, 9, 10	6, 8, 11	7

	<i>l</i>	<i>b</i>	<i>S</i>				
13131	5,5	12	5,0	14	2, 3, 4, 9, 10	5, 6, 8, 11	7
13151				18	2, 3, 4, 5, 9, 10	6, 8, 11	7
13171	6,5	14	6,0	14	3, 4, 9, 10	2, 5, 6, 8, 11	7
13351				18	3, 4, 5, 9, 10	2, 6, 8, 11	7
13371	8,5	16	8,0	14	4, 9, 10	3, 5, 6, 11	2, 7, 8
13391				18	4, 7, 10	3, 5, 6, 9, 11	2, 8
13411	10,5	18	10,0	14	4, 7, 10	6, 8, 9, 11	2, 3, 5
13431					4, 7, 10	5, 6, 9, 11	2, 3, 8
13191	12,0	20		18	4, 7, 10	6, 8, 9, 11	2, 3, 5
13451	12,5			14	4, 10	6, 8, 11	2, 3, 5, 9
13471		12,0	18		6, 11	2, 3, 5, 7, 8, 9	



Черт. 2

	-	/	b	s			
13492	2	3,0	10	3,0	2, 4, 9, 10	3, 5, 6, 8, 11	7
13512		3,5		3,5	2, 3, 4, 9, 10	5, 6, 8, 11	7
13532		4,0	12	4,0	2, 3, 4, 6, 9, 10	5, 8, 11	7
13552		4,5		4,5	2, 3, 4, 6, 9, 10	5, 8, 11	7
13572		5,0	14	5,0	2, 3, 4, 6, 9, 10	5, 8, 11	7
13592		6,0	16	6,0	3, 4, 6, 9, 10	2, 5, 8, 11	7
13612		8,0	18	7,0	4, 6, 10	2, 3, 5, 9, 11	7, 8
13632		10,0	20	8,0	4, 6, 7, 10	3, 5, 8, 9, 11	2
13652		12,0		10,0	4, 6, 7, 10	8, 11	2, 3, 5, 9
13673	3	3,0	12	3,0			2, 3, 4, 5, 6, 7, 8, 9, 10, 11
13693		4,0	14	4,0			2, 3, 4, 5, 6, 7, 8, 9, 10, 11
13713		5,0	16	5,0			2, 3, 4, 5, 6, 7, 8, 9, 10, 11
13733		6,0	18	6,0			2, 3, 4, 5, 6, 7, 8, 9, 10, 11
13753		8,0	20	7,0			2, 3, 4, 5, 6, 7, 8, 9, 10, 11
13793		10,0	25	8,0		8	2, 3, 4, 5, 6, 7, 9, 10, 11
13773		12,0		10,0		8	2, 3, 4, 5, 6, 7, 9, 10, 11

3. — 25393.  
 4.  
 5. — 2209.  
 6. : 2— 15 6; 3— 14 8; 4— 5 10; 5— 10 8- ;  
 6- 7 12; 7- ; 8- 6- ; 6- ; 9- 6; 10- 8, 11- - .

3

	15 6	14 8	5 10	10 8-	7 12		6- , 6- , 6	8	-
13011	0,90	0,91	1,01	1,09	1,05	1,21	1,18	1,16	1 7
13031	0,89	0,89	1,00	1,07	1,03	1,18	1,16	1 4	1,15
13051	1,93	1,94	2,16	2,31	2,23	2,58	2,52	2,48	2,50
13071	1,90	1,91	2,13	2,28	2,20	2,53	2,48	2,44	2,46
13131	3,53	3,54	3,96	4,24	4,09	4,74	4,60	4,54	4,57
13151	3,47	3,48	3,89	4,17	4,02	4,63	4,53	4,46	4,49
13171	5,83	5,85	6,54	7,01	6,75	7,78	7,60	7,50	7,55
13351	5,73	5,75	6,43	6,89	6,63	7,65	7,47	7,37	7,42
13371	11,50	11,54	12,91	13,82	13,32	15,34	14,99	14,79	14,89
13391	11,26	11,31	12,65	13,54	13,05	15,03	14,68	14,49	14,59
13411	19,80	19,89	22,24	23,81	22,94	26,43	25,82	25,47	25,65
13431	19,35	19,44	21,73	23,27	22,42	25,83	25,23	24,89	25,06
13191	24,60	24,80	27,90	29,90	28,80	33,10	32,60	32,20	32,43
13451	31,22	31,36	35,07	37,55	36,17	41,67	40,70	40,16	40,44
13471	30,45	30,58	34,20	36,62	35,28	40,64	39,70	39,17	39,44
13492	0,78	0,78	0,88	0,94	0,91	1,05	1,03	1,02	1,03
13512	1,08	1,09	1,23	1,32	1,27	1,46	1,44	1,42	1,43
13532	1,70	1,71	1,93	2,07	1,99	2,29	2,25	2,22	2,24
13552	2,18	2,19	2,47	2,64	2,55	2,93	2,88	2,84	2,86
13572	3,12	3,14	3,55	3,80	3,66	4,20	4,13	4,08	4,12
13592	5,13	5,16	5,82	6,23	6,01	6,90	6,79	6,71	6,76
13612	9,22	9,27	10,40	11,10	10,80	12,40	12,20	12,00	12,08
13632	14,80	14,90	16,80	18,00	17,40	19,90	19,60	19,40	19,54
13652	22,10	22,20	25,00	26,80	25,80	29,70	29,20	28,80	29,00
13673	0,81	0,82	0,92	0,98	0,95	1,09	1,07	1,06	1,07
13693	1,70	1,71	1,93	2,07	1,99	2,29	2,25	2,22	2,23
13713	3,07	3,09	3,48	3,72	3,59	4,12	4,06	4,01	4,04
13733	5,00	5,03	5,67	6,07	5,85	6,72	6,61	6,53	6,58
13753	8,19	8,24	9,29	9,94	9,59	11,00	10,80	10,70	10,77
13793	13,90	14,00	15,80	19,90	16,30	18,70	18,40	18,20	18,33
13773	21,60	21,80	24,60	26,30	25,30	29,00	28,60	28,30	28,50

. 5 17163-90

1.

2.

\_\_\_\_\_

31.10.90 2760

3.

17163-82

4.

118—74 125—74

5.

-

2209-90	5
25393-90	3

6.